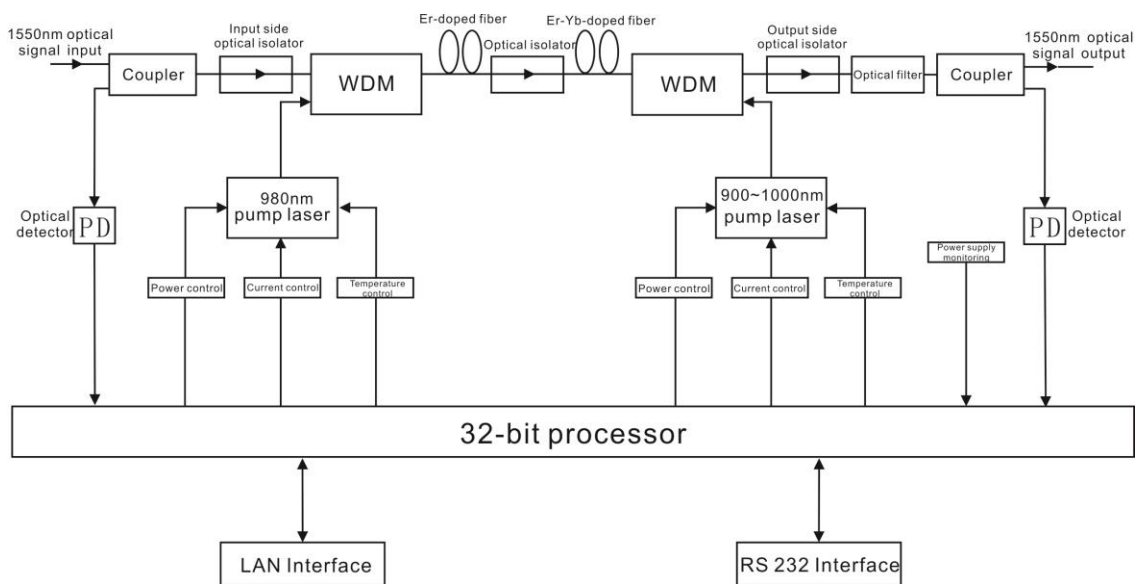


High-power 1550nm Fiber Amplifier



Block diagram



Technique Parameter

Item	Unit	Technique parameters	Remark
Operating bandwidth	nm	1545 - 1565	
Input optical power range	dBm	-3 - +10	
Maximum output optical power	dBm	34	
Output power stability	dBm	±0.5	
Noise figure	dB	≤ 5.0	Input optical power 0dBm, λ=1550nm
Return loss	Input	dB	≥ 45
	Output	dB	≥ 45
Optical Connector Type		SC/APC	
C/N	dB	≥ 50	Test condition according to GT/T 184-2002.
C/CTB	dB	≥ 63	
C/CSO	dB	≥ 63	
Power supply voltage	V	A:AC160V - 250V (50 Hz) B:DC48V	
Operating Temperature Range	°C	-10 - +42	
Maximum operating relative humidity	%	Max 95% No Condensation	
Storage Temperature Range	°C	-30 - +70	
Maximum storage relative humidity	%	Max 95% No Condensation	
Dimension	mm	483 (L) X 440 (W) X 88 (H)	

Model and Power Comparison Table

Model	Total output power dBm	Output ports number	Output power of each port dBm
XE-16 - 20	34	16	20
XE-16 - 21	35	16	21
XE-16 - 22	36	16	22
XE-32 - 21	38	32	21